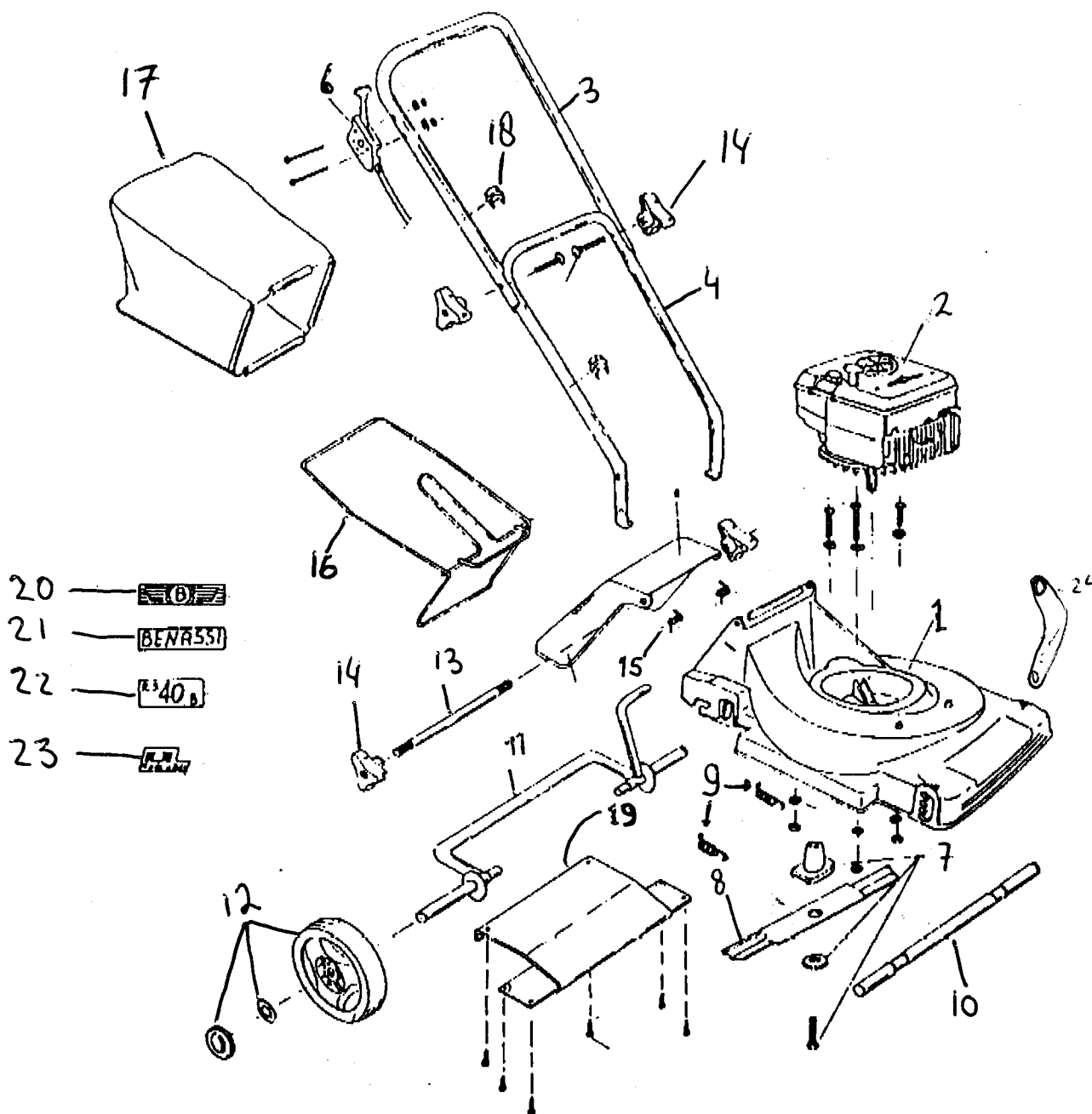


# Tav. 159

RASAERBA RS 40 B

ri.be.

①



POS. CODICE	DESCRIZIONE	Q.TA'	POS. CODICE	DESCRIZIONE	Q.TA'
1	02.159.0.001.0	1	13	02.151.0.012.0	1
2	02.159.0.002.0	1	14	02.151.0.013.0	4
3	02.159.0.003.0	1	15	02.151.0.014.0	2
4	02.151.0.016.0	1	16	02.159.0.016.0	1
5	02.151.0.005.0	1	17	02.159.0.017.0	1
6	02.159.0.006.0	1	18	02.151.0.019.0	2
7	02.159.0.007.0	1	19	02.159.0.019.0	1
8	02.159.0.008.0	1	20	02.015.0.069.0	1
9	02.151.0.009.0	2	21	02.011.0.084.0	2
10	02.159.0.010.0	1	22	02.159.0.022.0	1
11	02.159.0.011.0	1	23	02.011.0.079.0	1
12	02.159.0.012.0	4	24	02.159.0.024.0	2